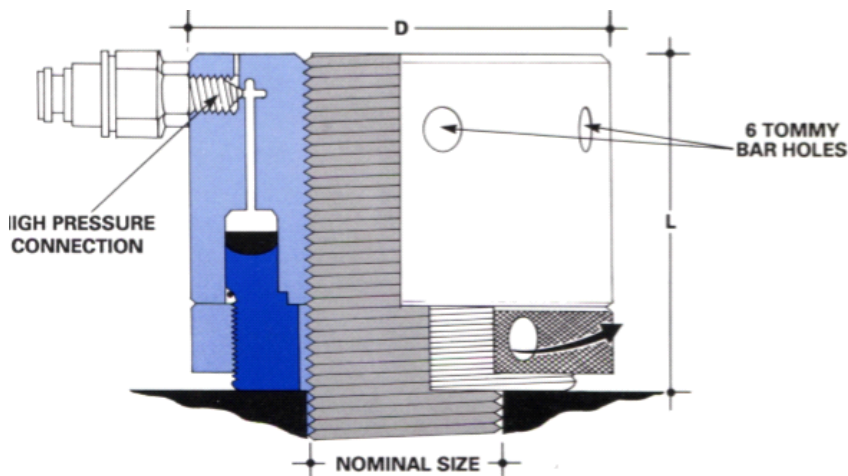


# Tensioning Systems



## Pilgrim's Hydraulically Installed Locking Collar Nuts (LRL)

Pilgrim's Locking Nut is a combined tensioner and nut designed to remain in-situ following installation. If your need is to join coupling faces with integrity, predictability and speed or want to remove the possibility of galling, then this Pilgrim solution is ideal. You can either select from our standard range (Below) or if required we can create bespoke solutions.



### Typical Applications

- Steam Turbines
- Pumps
- Mining
- Diesel Engines
- Other Bolting
- Reactor Heads
- Rollings Mills, Shear Cutters etc.
- Press Construction
- Cable Tensioning
- Wellhead Equipment

### Features

- Available also in quick release.
- Available with side or top entry connections.
- Figures are given for operating pressure of 30,000 lbs/in<sup>2</sup> (2070 Bar). Max Operating
- Bespoke nut designs, such as High temp or thread forms (on request).

NOMINAL SIZE		D		L		MAX PISTON STROKE		LOAD DEVELOPMENT		APPROX WEIGHT	
in	mm	in	mm	in	mm	in	mm	lbs f	Kg f	lbs	Kg
1-3/8	M36	2.96	75	2.40	61	0.08	2	69,682	31,616	4.2	1.9
1-7/8	M48	3.78	96	2.68	68	0.08	2	108,139	49,065	7.0	3.2
2-1/4	M56	4.41	112	2.95	75	0.12	3	166,217	75,416	9.9	4.5
2-1/2	M64	5.04	128	3.03	77	0.12	3	208,170	94,451	13.2	6.0
3	M72	5.67	144	3.31	84	0.16	4	265,727	120,566	18.3	8.3
3-1/4	M80	6.30	160	3.66	93	0.16	4	341,837	155,099	25.1	11.4
3-1/2	M90	7.09	180	4.17	106	0.20	5	435,514	197,602	36.1	12.1
4	M100	7.87	200	4.57	116	0.20	5	531,491	241,148	48.7	22.1

The contents of this publication are the copyright of the publisher and may not be reproduced (even extracts) unless prior written permission is granted. Every care has been taken to ensure the accuracy of the information contained in this publication but no liability can be accepted for any loss or damage whether direct, indirect or consequential arising out of the use of the information contained herein.  
PIL\_PRO\_010\_0719\_EN

Contact Us:

Telephone: +44 161 785 7700

e-mail: [sales@pilgrim-international.co.uk](mailto:sales@pilgrim-international.co.uk)